



HyPanel Lux Quick Guide



» Welcome

This guide applies to RT61-PoE-EU model of HyPanel Lux.

## » Contents

- Before We Start \_\_\_\_\_ 2 •
- In the Box \_\_\_\_\_ 3 •
- Check Compatibility \_\_\_\_\_ 4 •
- Wiring \_\_\_\_\_ 7 •
- Installation \_\_\_\_\_ 9 •
- Get Help \_\_\_\_\_ 15 •

## » Before We Start

---

Your first time installing this product may take up to 20 minutes.

You' ll get faster after each installation.

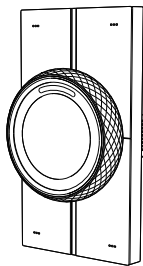
## WARNING ! <<

---

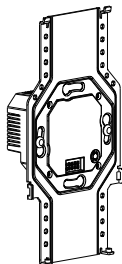
Keep the device and all its parts out of the reach of children.  
The small parts or accessories contained may be a choking hazard to them.



## In the Box



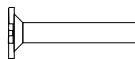
HyPanel Lux **x1**



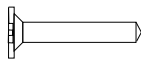
Flush Mounted Module **x1**



Silicone Washer **x6**



M4x20mm Phillips Machine Screw **x2**



M3x20mm Phillips Self Tapping Screw **x2**

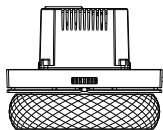


M2x5mm Phillips Machine Screw **x2**



# Check Compatibility

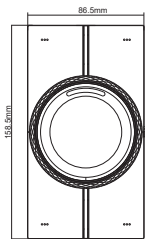
## Product dimensions



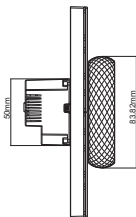
⑥ BOTTOM VIEW



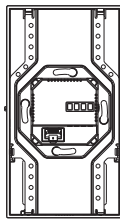
② RIGHT VIEW



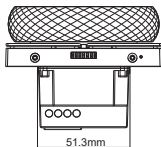
① FRONT VIEW



③ LEFT VIEW



④ BACK VIEW



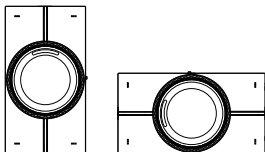
⑤ TOP VIEW



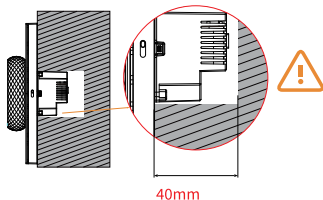
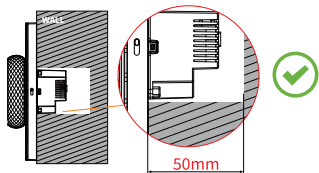
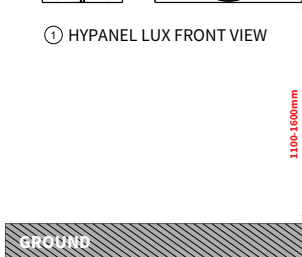
## Working space

Make sure HyPanel Lux is compatible with the location where you want to install it.

A 50mm(2 inches) deep electrical box is highly recommended for ease of installation. In some scenarios, especially when the wires can be pushed back into the wall far enough, it may be possible to use a 40mm(1.6 inches) deep box.



① HYPANEL LUX FRONT VIEW



② SIDE VIEW: HYPANEL LUX IN WALL



## PoE or DC power input

HyPanel Lux can be powered by either IEEE802.3af standard PoE or 12-24V DC.

## Support Wi-Fi and Ethernet connections

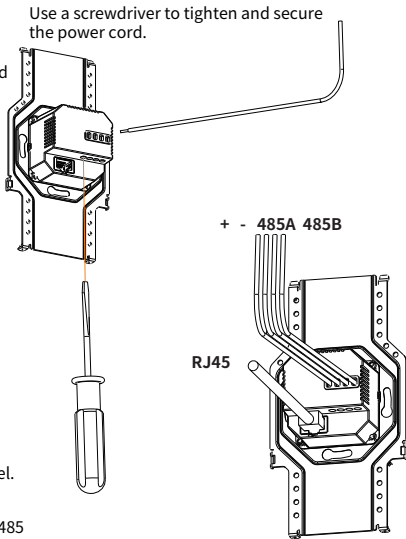
HyPanel Lux can operate with both wireless and wired networks, the use of the wired connection is recommended for greater reliability and speed of data exchange.



# Wiring

## Identify wires

- A positive DC wire(+) is often brown or red, and provides 12 -24 Volts of power to the device.
- A negative DC wire(-) is often blue or black.
  
- The RJ45 cable connecting with a PoE switch carries both data and power to the device, while the RJ45 with a non-PoE switch provides only Ethernet.
- RS485\_A and RS485\_B are two signal lines used to connect third-party devices to HyPanel. NO need to connect to these two terminals if you're not using third-party devices with RS485 communications.







## Connect wires

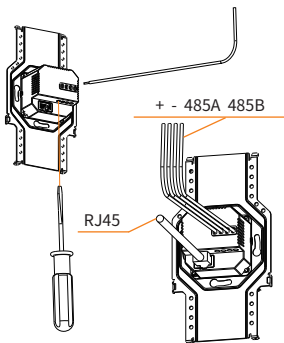
### 1.Strip and straighten wires

The wires used for 12-24V DC power supplier or RS485 communication should be  $1.5\text{mm}^2 \sim 2.5\text{mm}^2$  in size and have stripped and straight ends.

Strip the wires by removing the plastic sheathing, and make sure the exposed wire ends measure approximately 8 mm (5/16 inch) in length.



### 2.Connect all wires



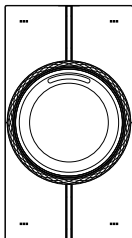
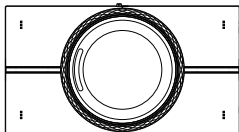
- **If you want to power the device using PoE**  
Plug the RJ45 Ethernet cable to the PoE port so that the module can receive both data and power.
- **If you want to power the device with 12-24V DC**  
Plug the positive and negative DC wires to the corresponding terminals respectively.  
Tighten the screws at the bottom clockwise with a flat-head screwdriver until wires are secure.  
Double check by gently tugging on each wire.
- **If you need to connect to third-party devices over RS485**  
Connect RS485\_A and RS485\_B wires to the corresponding terminals respectively.



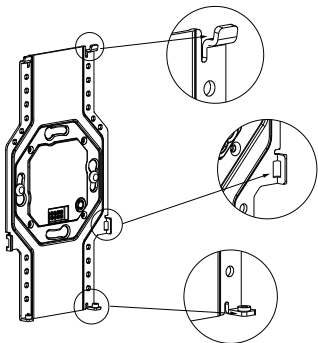
# Installation

## 1 Confirm installation direction

HyPanel Lux can be either vertically or horizontally installed.



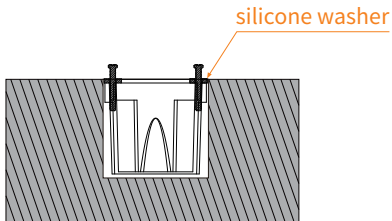
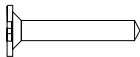
If you want to mount the flush mounted module vertically, we strongly recommend that you have its clips on the top and the screw holes at the bottom.





## ② Select screws

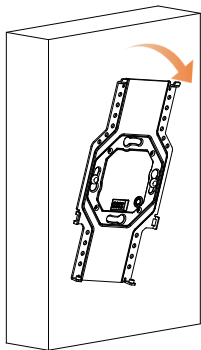
Use M3x20mm self tapping screws to install flush mounted module.



- If the electrical box sets deep into the wall, place over the silicone washer(s) lining up the screw hole to make up the gap.
- The washer surface should be flush with the wall or less than 1 mm (1/32 inch) extended.
- Change the torque on the electric screwdriver to 5kgf.cm.
- Turn the screws clockwise with a screwdriver.
- Do not fully tighten the screws. The screw head must protrude at least 3 mm (1/8 inch) from the wall surface.

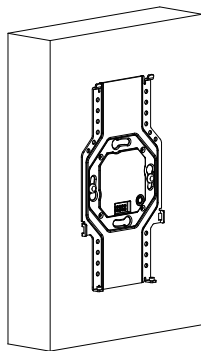


### ③ Install flush mounted module



Attach the flush mounted module to the electrical box.  
The screws should go through the holes on the module.

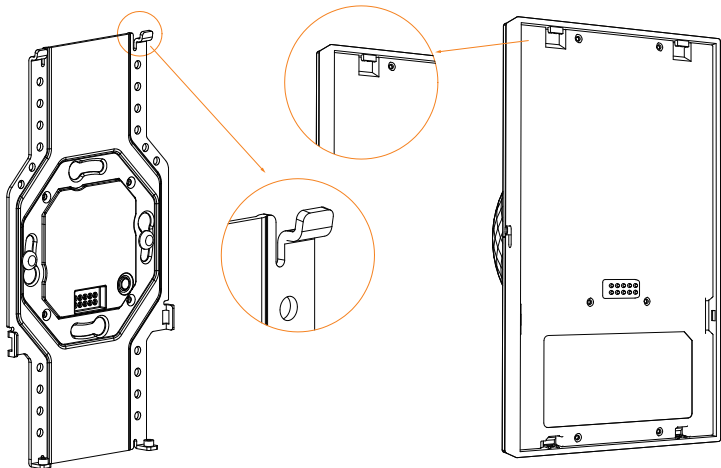
- Adjust the module to be level and ensure it is flush against the wall.
- Tighten the screws to attach the module to the wall, taking care not to over-tighten them.

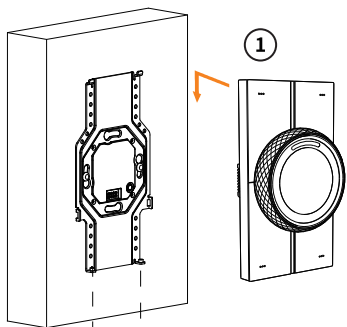




#### ④ Install panel

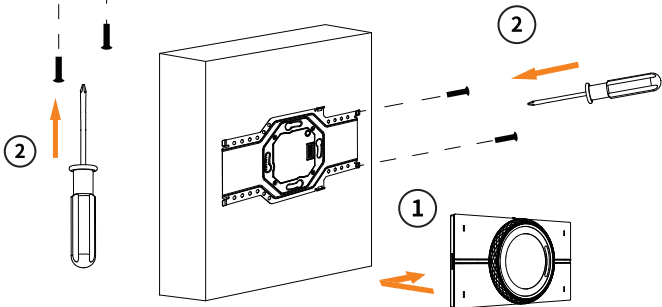
Line up the two clips on the flush mounted module with the notches on the panel.  
Snap the panel into place and press it down.





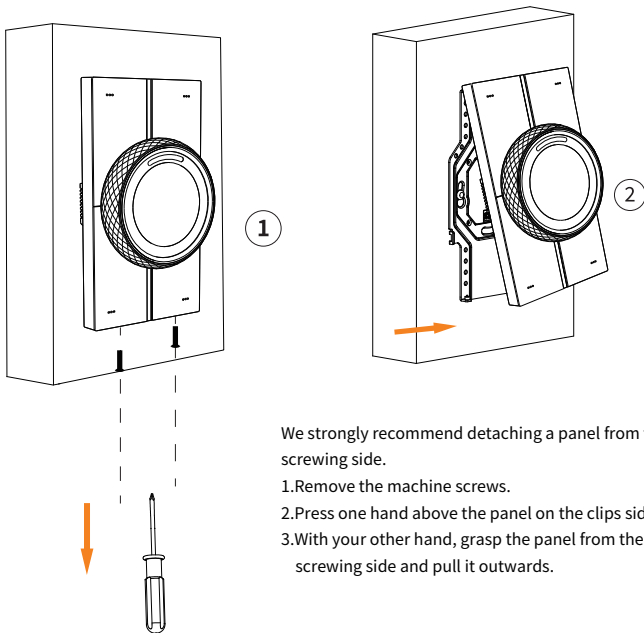
Since the HyPanel Lux can be mounted either vertically or horizontally, the screw holes would be in different positions depending on the direction you choose.

Check the panel is properly clipped onto the module and is flush against the wall. Use two M2x5mm machine screws to secure the panel.





## If you need to remove the panel



We strongly recommend detaching a panel from the screwing side.

- 1.Remove the machine screws.
- 2.Press one hand above the panel on the clips side.
- 3.With your other hand, grasp the panel from the screwing side and pull it outwards.



# Congratulations!

You are done with the HyPanel Lux installation!  
Start your smart home journey with Akubela now!

## Get Help

For help or more assistance,  
contact us at: <https://ticket.akuvox.com/>  
For videos, guides, and additional product formation,  
visit us at: <https://knowledge.akuvox.com>

